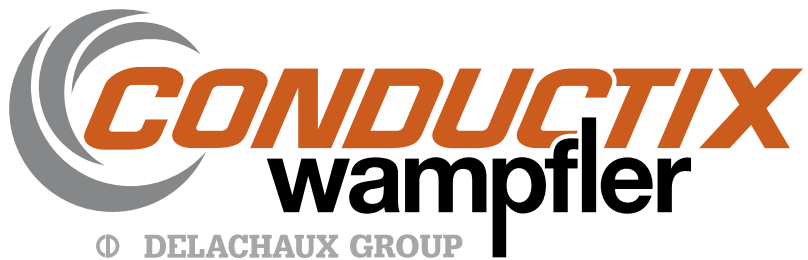




# LM Series

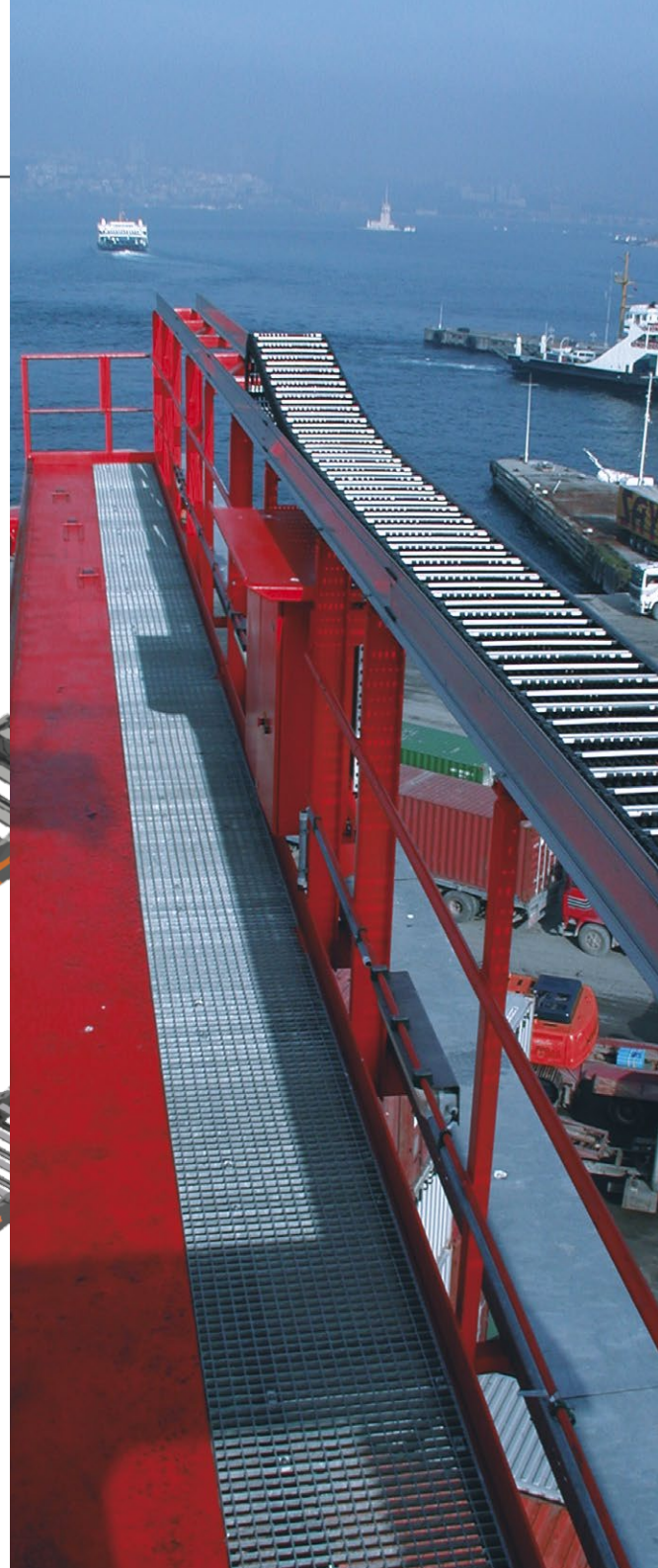
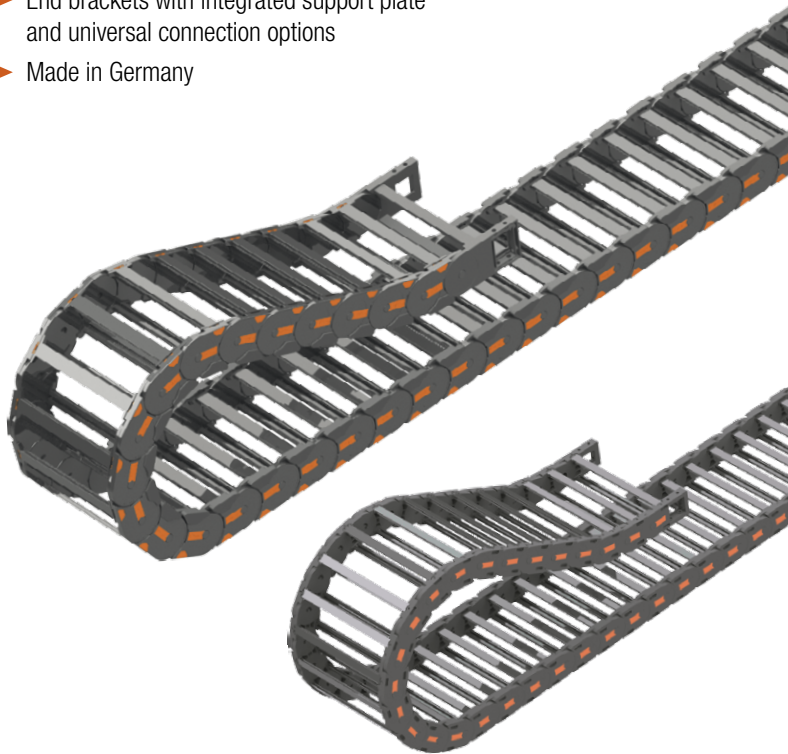
Energy Guiding Chains for  
RMG and RTG Crane Trolleys



DELACHAUX GROUP

# LM Series – Key Benefits

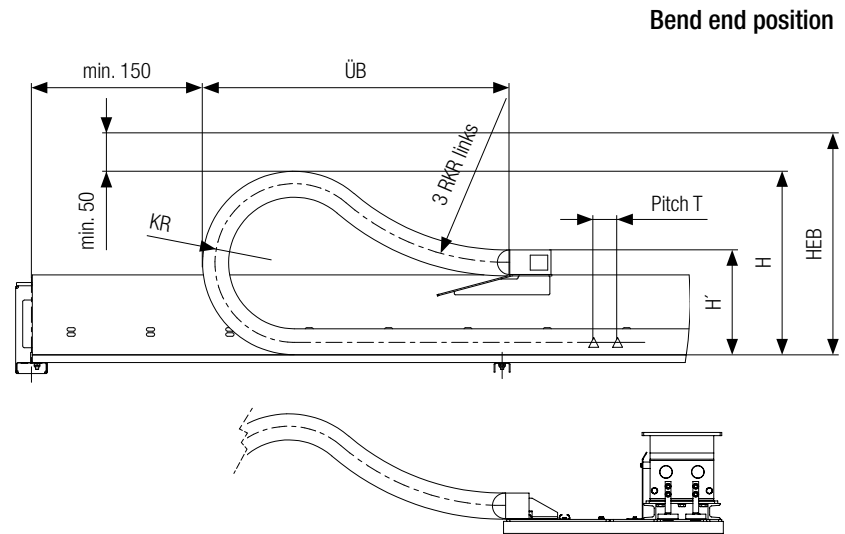
- ▶ Specifically developed for RMG and RTG applications
- ▶ Aluminum frame stays for minimal friction between the chain and the cables
- ▶ LM52: Especially for applications with small additional loads where nevertheless a robust design is required
- ▶ LM82: Extremely robust design for applications with high additional loads and for long travel ways
- ▶ Chain cross section with special dividers to improve the stability for chains with larger chain widths
- ▶ Low maintenance
- ▶ Replaceable sliding shoes to reduce the sliding friction coefficient and to extend the chain life time
- ▶ Fixed lateral dividers – preventing lateral gross crushing of the cables in crane operation
- ▶ End brackets with integrated support plate and universal connection options
- ▶ Made in Germany



# LM52 Energy Guiding Chain

- Robust and stable design
- Aluminum frame stays
- Travel distances up to 40 m
- For additional loads up to 15 kg/m
- Tested 2 million working cycles

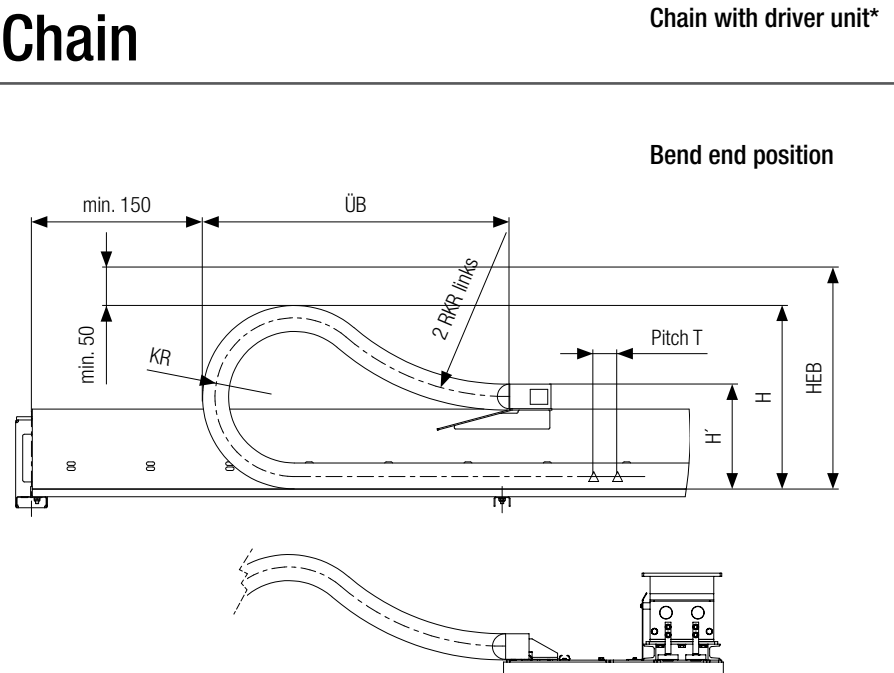
LM52



# LM82 Energy Guiding Chain

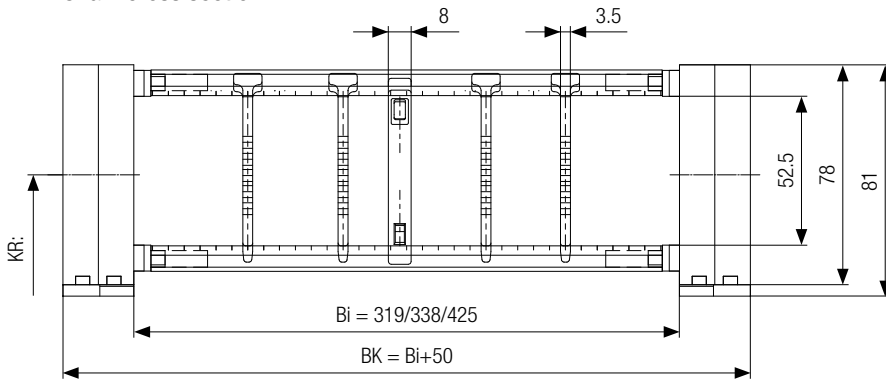
- Extremely robust and stable design
- Aluminum frame stays
- Travel distances up to 50 m
- For additional loads up to 20 kg/m
- Tested 4.5 million working cycles

LM82

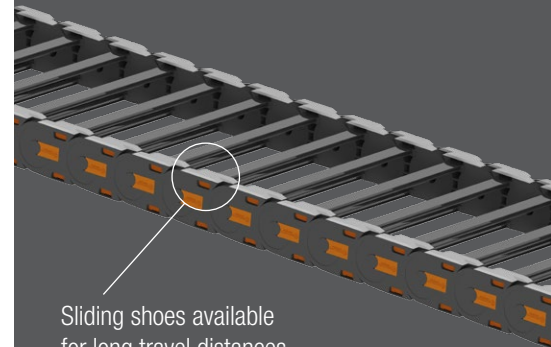


Chain with driver unit\*

### Chain cross section

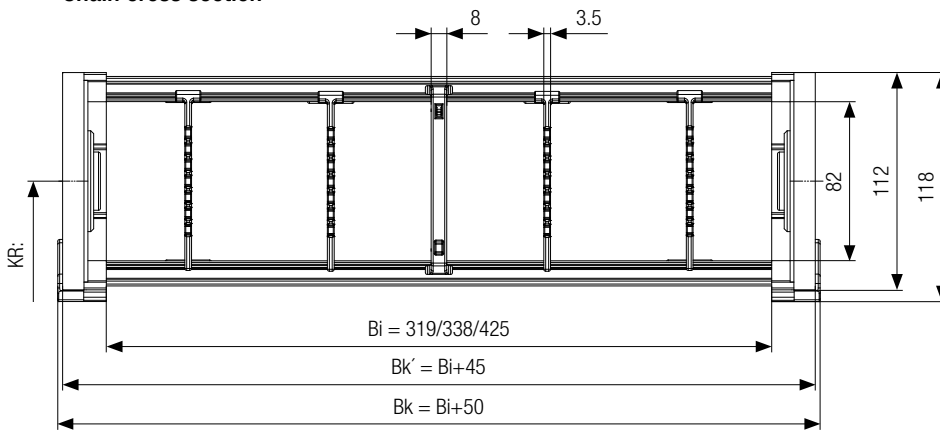


Max. travel distance  
(with guiding channel): 40 m  
 Max. travel speed: 180 m/min  
 Acceleration: 1 m/s<sup>2</sup>  
 Max. additional load: 15 kg/m  
 Temperature range: -25°C to +70°C  
 Standard material: Polyamide, black

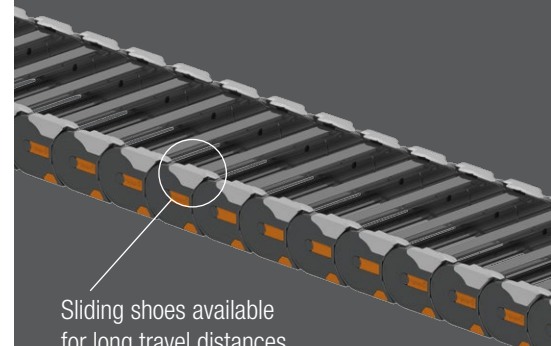


Sliding shoes available  
for long travel distances

### Chain cross section

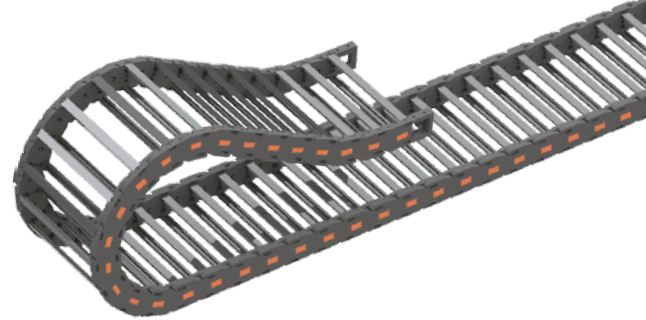


Max. travel distance  
(with guiding channel): 50 m  
 Max. travel speed: 180 m/min  
 Acceleration: 1 m/s<sup>2</sup>  
 Max. additional load: 20 kg/m  
 Temperature range: -25°C to +70°C  
 Standard material: Polyamide, black



Sliding shoes available  
for long travel distances

Link height:	81 mm
Chain internal width Bi: (other internal widths on request)	319 / 338 / 425
Chain pitch:	91 mm
Bending radius KR:	250 / 300 mm
Number of backward bending radius links for lower driver connection:	3
Backward bending radius RKR:	250 mm
Height of chain bend H:	578 / 678 mm
Installation height HEB (H+50):	628 / 728 mm
Driver connecting height H':	330 / 380 mm
Bend overhang UB:	970 / 1100 mm



\* When using a driver unit, the connecting height H' to the chain must be lowered – technical design available on request.

Link height:	118 mm
Chain internal width Bi: (other internal widths on request)	319 / 338 / 425
Chain pitch:	118 mm
Bending radius KR:	200 / 250 / 300 / 350 / 400 mm
Number of backward bending radius links for lower driver connection:	2
Backward bending radius RKR:	300 mm
Height of chain bend H:	512 / 612 / 712 / 812 / 912 mm
Installation height HEB (H+50):	562 / 662 / 762 / 862 / 962 mm
Driver connecting height H':	350 / 370 / 400 / 460 / 530 mm
Bend overhang UB:	900 / 1050 / 1130 / 1200 / 1340 mm



\* When using a driver unit, the connecting height H' to the chain must be lowered – technical design available on request.

# www.conductix.com

**Conductix-Wampfler GmbH**

Rheinstrasse 27+33  
79576 Weil am Rhein  
Germany

Customer Support

Phone +49 (0) 7621 662-222

Phone +49 (0) 7621 662-0

Fax +49 (0) 7621 662-144

info.de@conductix.com

www.conductix.com

