

## Besta'Power

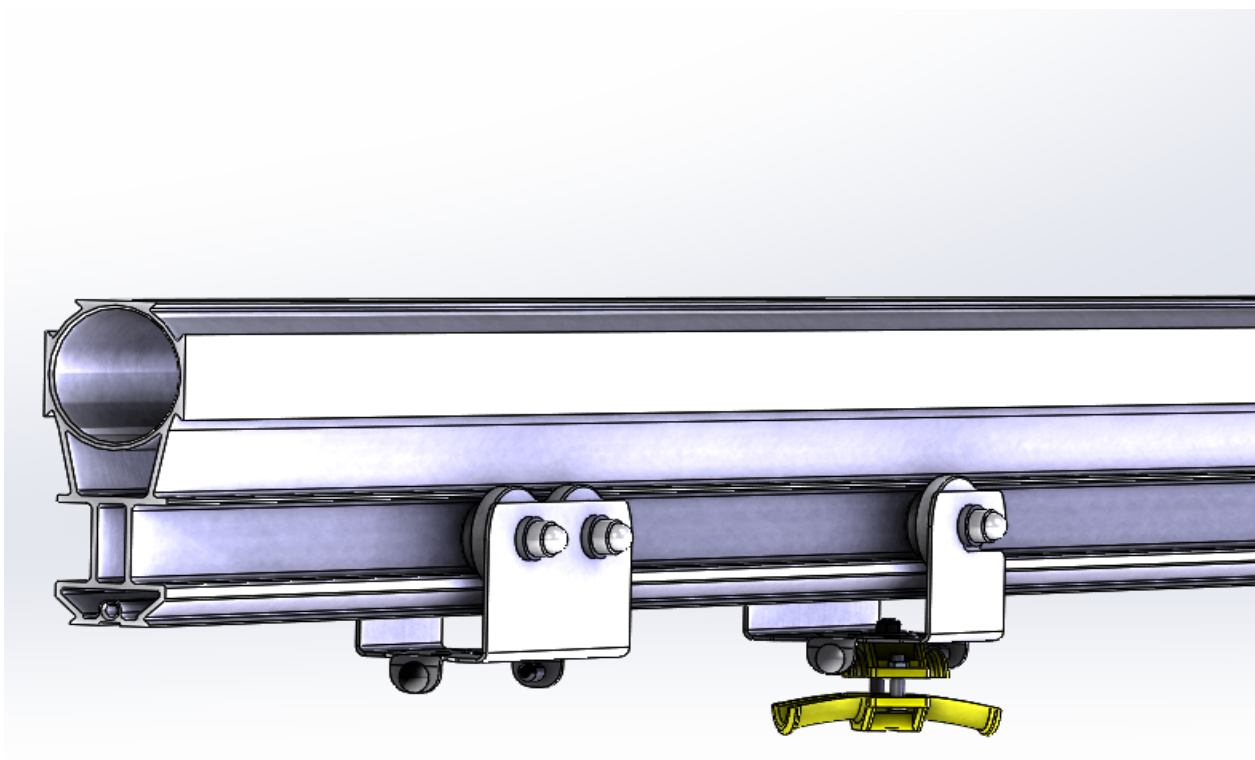
### Cable Trolley W<sup>5</sup>-traxX

---

#### Order-Number

048951-xxxx

---



## Contents

<b>1</b>	<b>General Information .....</b>	<b>2</b>
1.1	Safety and hazard advice .....	2
1.2	General safety regulations.....	2
<b>2</b>	<b>Overview.....</b>	<b>3</b>
2.1	Item overview .....	3
2.2	Rollers regulation.....	3
<b>3</b>	<b>Required tools .....</b>	<b>4</b>
<b>4</b>	<b>Assembly.....</b>	<b>4</b>
<b>5</b>	<b>Disassembly.....</b>	<b>7</b>

## 1 General Information

---

### 1.1 Safety and hazard advice

Safety and hazard information are always marked with corresponding symbols in this installation and operating manual. Safety instructions are introduced by signal words that signal the scale of the hazard. Always observe safety and hazard instructions, and work carefully to avoid accidents, bodily injury and damage to property!



**WARNUNG!**

...indicates an immediate hazard that, if not avoided, may result in death or serious injury.



**Tips and recommendations:**

...refers to useful tips and recommendations as well as information for efficient and trouble-free operation.

### 1.2 General safety regulations

In addition to the installation instructions, general regulations regarding accident prevention and environmental protection are to be observed.

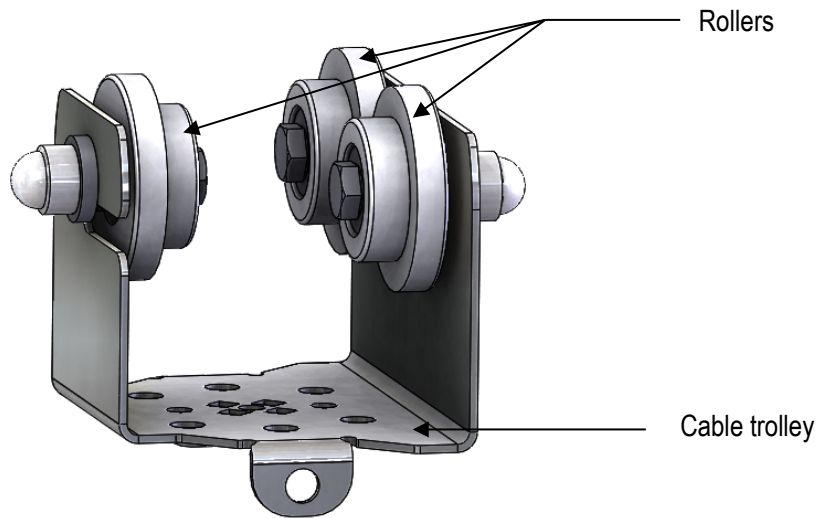
- Assembly, activation, maintenance and operation must be performed by sufficiently qualified and trained specialists.
- The assembly, maintenance and operation personnel must have read and understood the maintenance/assembly instructions and the safety regulations in particular.
- Protective gear must be provided and used.
- The system operator or his/her representative is to supervise machine operation to ensure that personnel use caution while working on or with the system.

## Besta'Power

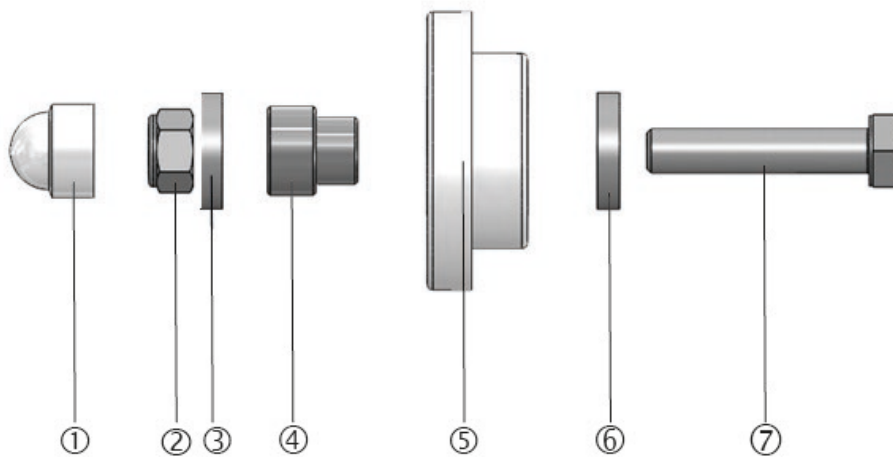
### Cable Trolley W<sup>5</sup>-traxX

## 2 Overview

### 2.1 Item overview



### 2.2 Rollers regulation



Pos.	Description
1	Nut cap M8
2	Hex nut DIN985 M8
3	Washer DIN7349 8.4 mm
4	Spacer bushing
5	Rollers Ø50 mm
6	Washer DIN7349 8.4 mm
7	Hex screw DIN993 M8x40 mm

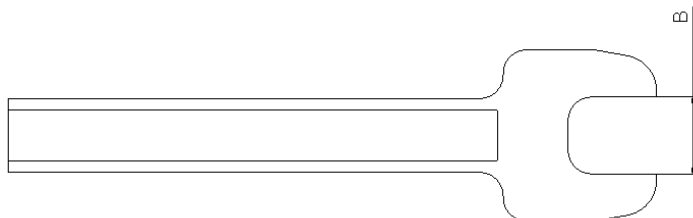
## Besta'Power

### Cable Trolley W<sup>5</sup>-traxX

---

### 3 Required tools

---



1 x Open wrench

1 x Torque wrench

B = 13 mm

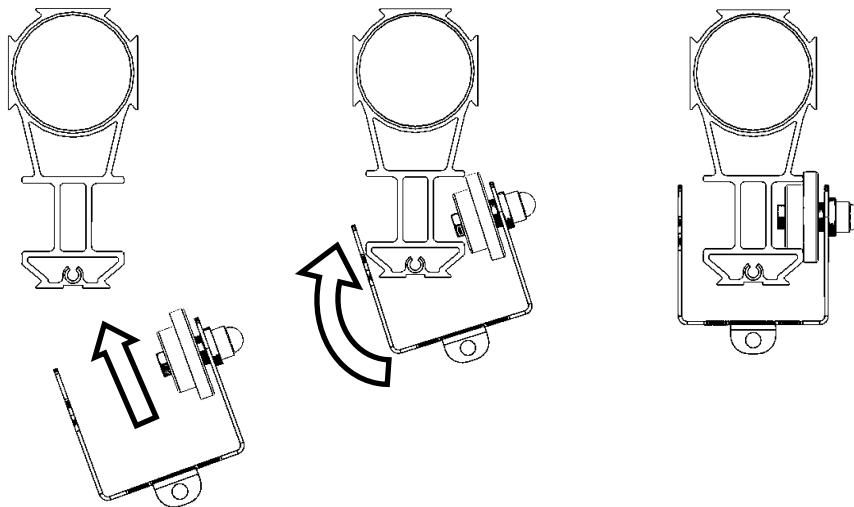
Tightening torque: **Max. 27.3 Nm**

---

### 4 Assembly

---

1. Put one cable trolley with two pre-mounted rollers from the bottom to the W<sup>5</sup>-traxX-Profile.

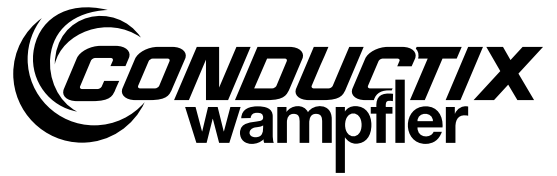


#### **Safety hazard caused by falling parts!**

At the moment of this step the cable trolley and the roller are not secured. The cable trolley and the roller could fall down from the W<sup>5</sup>-traxX-Profile.

→ Secure the cable trolley and the roller from falling parts!

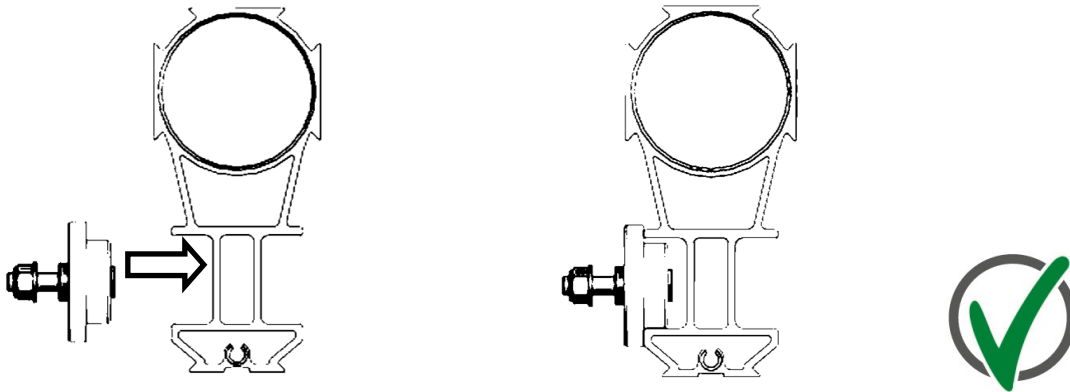
# Installation Instructions



## Besta'Power

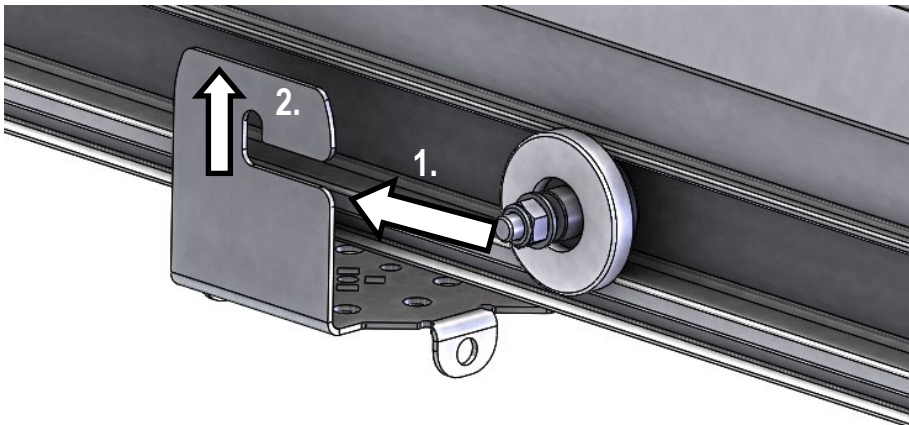
### Cable Trolley W<sup>5</sup>-traxX

2. Insert the third pre-mounted flanged roller into the rail.

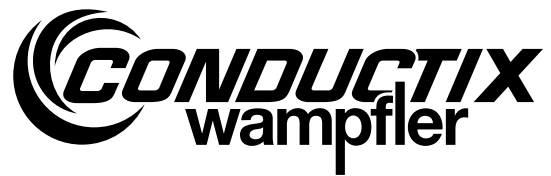


For an easy assembling, open the hex nut.

3. Positioning of the third roller.



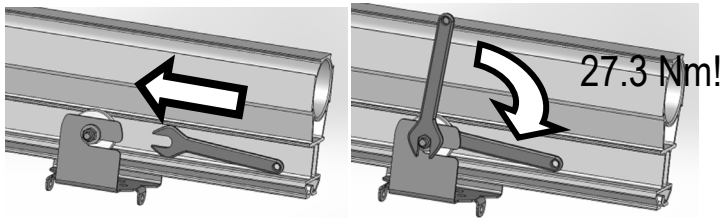
# Installation Instructions



## Besta'Power

### Cable Trolley W<sup>5</sup>-traxX

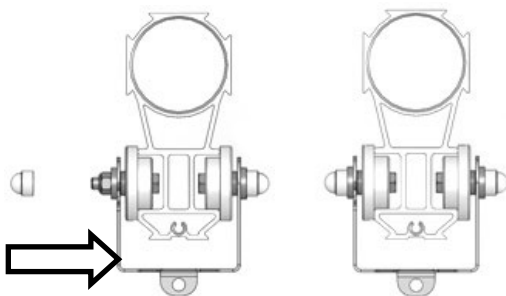
#### 4. Mounting of the roller.



During the attachment of the roller it is important that you lock the screw with the open wrench.

It has to be ensured that the screw (Pos. 7) is locked while you are tightening the hex nut with the torque wrench (27.3 Nm) (Pos. 2).

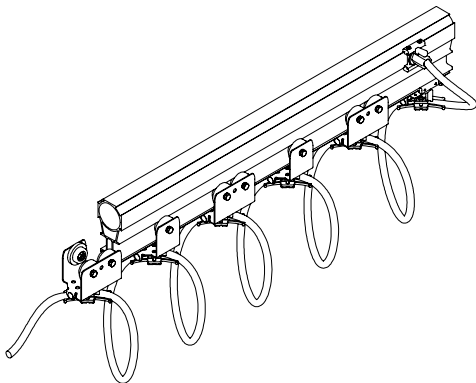
#### 5. Mounting of the roller.



#### 6. Trolley arrangement.

The cable trolleys are always arranged such that alternately the side with 1 flanged roller follows/is followed by the side with 2 flanged rollers.

This is necessary to keep the resulting length of the festoon accumulation as small as possible and to ensure that trolleys touch at the appropriate part when they drive together.

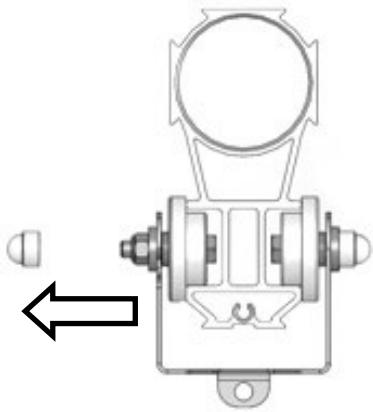


## Besta'Power

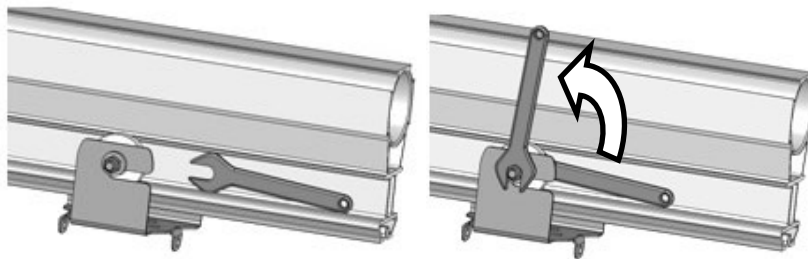
### Cable Trolley W<sup>5</sup>-traxX

## 5 Disassembly

1. Removing the nut cup.



2. Untightening the roller.



3. Removal of the roller.

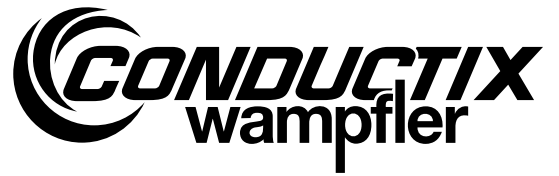


### Safety hazard caused by falling parts!

At the moment of this step the cable trolley and the roller are not secured. The cable trolley and the roller could fall down from the W<sup>5</sup>-traxX-Profile.

→ Secure the cable trolley and the roller from falling parts!

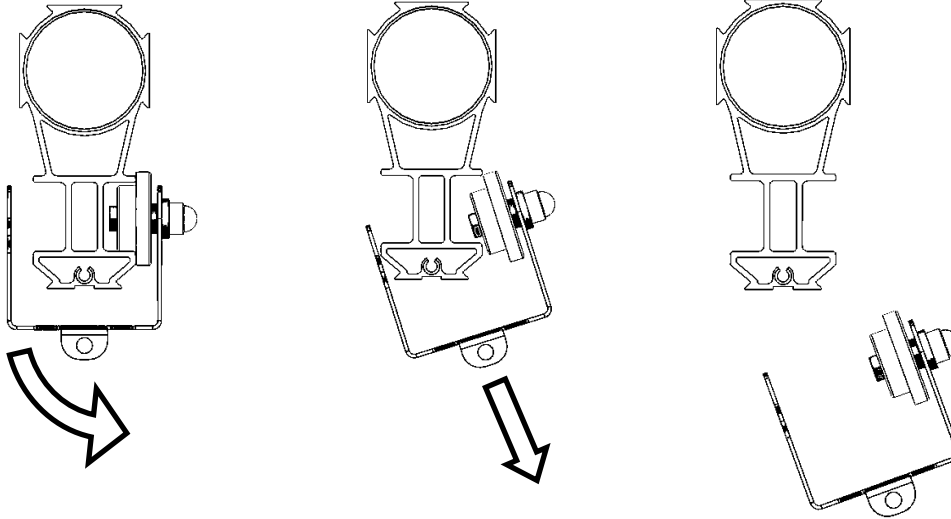
# Installation Instructions



## Besta'Power Cable Trolley W<sup>5</sup>-traxX

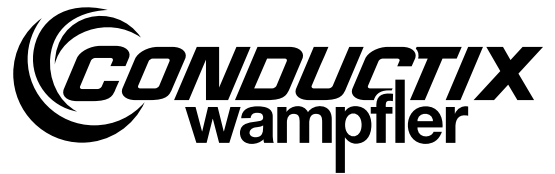
---

4. Dismantle the cable trolley.





# Installation Instructions



## Besta'Power

### Cable Trolley W<sup>5</sup>-traxX

---

**Conductix-Wampfler GmbH**  
Rheinstraße 27 + 33  
79576 Weil am Rhein - Märkt  
Germany

Phone: +49 (0) 7621 662-0  
Fax: +49 (0) 7621 662-144  
[info.de@conductix.com](mailto:info.de@conductix.com)  
[www.conductix.com](http://www.conductix.com)

**UK  
CA**

Importer for the United Kingdom:  
**Conductix-Wampfler Ltd.**  
1, Michigan Avenue  
Salford  
M50 2GY  
United Kingdom

Phone: +44 161 8480161  
Fax: +44 161 8737017  
[info.uk@conductix.com](mailto:info.uk@conductix.com)  
[www.conductix.com](http://www.conductix.com)